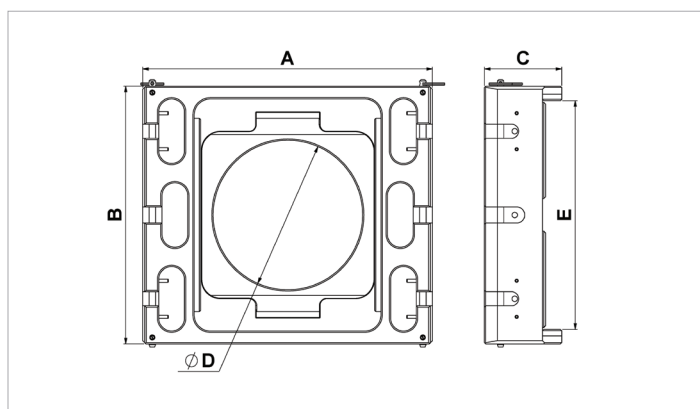


## Technical specification sheet

# TS 232 | Traverse Sled

Specifications		
article number		100.002.799
model		TS 232
short description		Traverse Sled
capacity	kN/t	735.4 / 75
weight, ready for use	kg	24.0

Technical drawing dimensions		
dimension A	mm	450
dimension B	mm	400
dimension C	mm	120
dimension D	mm	232
dimension E	mm	355



[holmatro.com](https://www.holmatro.com)

© Holmatro 2023-12-20

While the greatest care has been devoted to the content, it is possible that the information in this printed matter is incorrect or incomplete. Holmatro B.V. and its affiliated companies (hereafter: Holmatro) cannot be held liable in any way for the consequences of activities undertaken on the basis of this printed matter. Values can vary within the manufacturer measurements. If you have any doubts about the correctness or completeness of the information, you shall contact Holmatro (T +31 (0)162-751480). Nothing from this printed matter can be copied and/or made public in any way without the explicit authorisation of Holmatro.