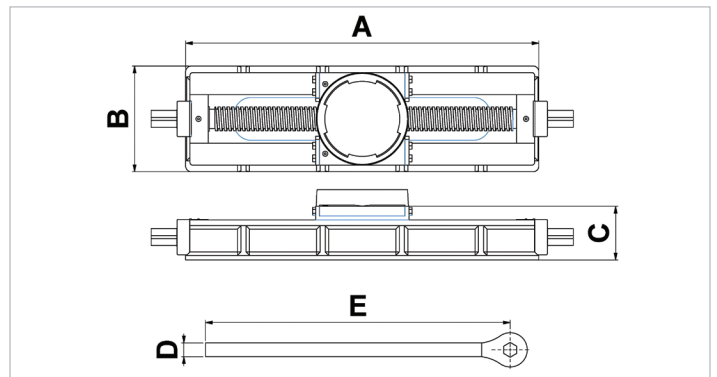
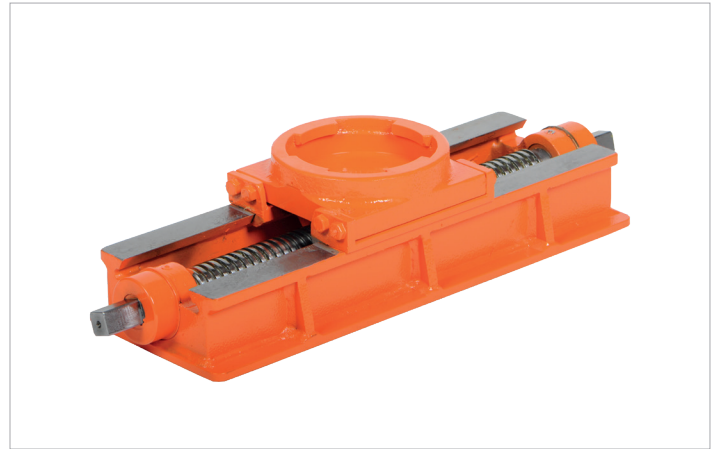


Technical specification sheet

TB 2530 | Traversing Bed

Specifications		
article number		200.102.010
model		TB 2530
suitable for jack		JJ 25**
short description		Traversing Bed
max. horizontal displacement	in	11.8
weight, ready for use	lb	55.1

Technical drawing dimensions		
dimension A	in	18.5
dimension B	in	7.3
dimension C	in	3.5
dimension D	in	1.2
dimension E	in	23.6



holmatro.com

© Holmatro 2020-05-31

While the greatest care has been devoted to the content, it is possible that the information in this printed matter is incorrect or incomplete. Holmatro B.V. and its affiliated companies (hereafter: Holmatro) cannot be held liable in any way for the consequences of activities undertaken on the basis of this printed matter. Values can vary within the manufacturer measurements. If you have any doubts about the correctness or completeness of the information, you shall contact Holmatro (T +31 (0)162-751480). Nothing from this printed matter can be copied and/or made public in any way without the explicit authorisation of Holmatro.