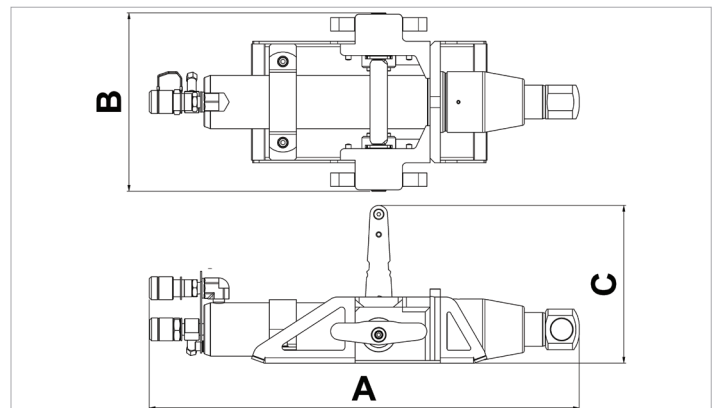


## Technical specification sheet

# SPPU-LW | Push-Pull Unit

Specifications		
article number		100.003.366
short description		Push-Pull Unit
model		SPPU-LW
max. working pressure	bar/Mpa	720 / 72
tonnage	t	10
stroke	mm	330
capacity (press)	kN/t	101.3 / 10.3
capacity (retract)	kN/t	93.9 / 9.6
effective pressure area (press)	cm <sup>2</sup>	32.66
effective pressure area (retract)	cm <sup>2</sup>	13.54
required oil content (press)	cc	1078
required oil content (retract)	cc	447
acting type		double
return type		hydraulic
material		steel
weight, ready for use	kg	26.0

Technical drawing dimensions		
dimension A	mm	637
dimension B	mm	264
dimension C	mm	233



[holmatro.com](http://holmatro.com)

© Holmatro 2021-09-08

While the greatest care has been devoted to the content, it is possible that the information in this printed matter is incorrect or incomplete. Holmatro B.V. and its affiliated companies (hereafter: Holmatro) cannot be held liable in any way for the consequences of activities undertaken on the basis of this printed matter. Values can vary within the manufacturer measurements. If you have any doubts about the correctness or completeness of the information, you shall contact Holmatro (T +31 (0)162-751480). Nothing from this printed matter can be copied and/or made public in any way without the explicit authorisation of Holmatro.