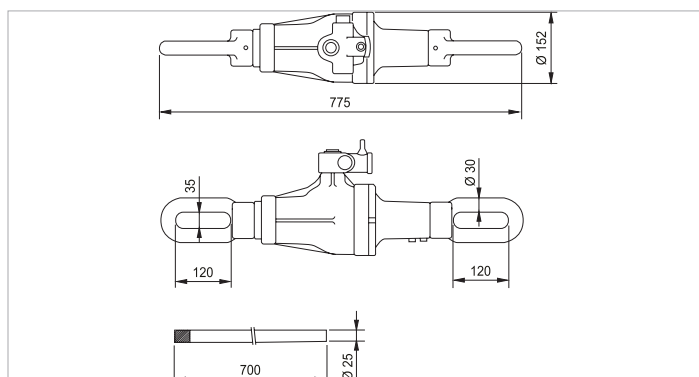


PL 2510 | Mechanical Pulling Jack

Specifications		
article number		200.421.001
model		PL 2510
short description		Mechanical Pulling Jack
tonnage	lb	55116.0
stroke	in	3.9
capacity	lbf	55146
retracted length	in	30.5
weight, ready for use	lb	70.5



holmatro.com

© Holmatro 2020-05-28

While the greatest care has been devoted to the content, it is possible that the information in this printed matter is incorrect or incomplete. Holmatro B.V. and its affiliated companies (hereafter: Holmatro) cannot be held liable in any way for the consequences of activities undertaken on the basis of this printed matter. Values can vary within the manufacturer measurements. If you have any doubts about the correctness or completeness of the information, you shall contact Holmatro (T +31 (0)162-751480). Nothing from this printed matter can be copied and/or made public in any way without the explicit authorisation of Holmatro.