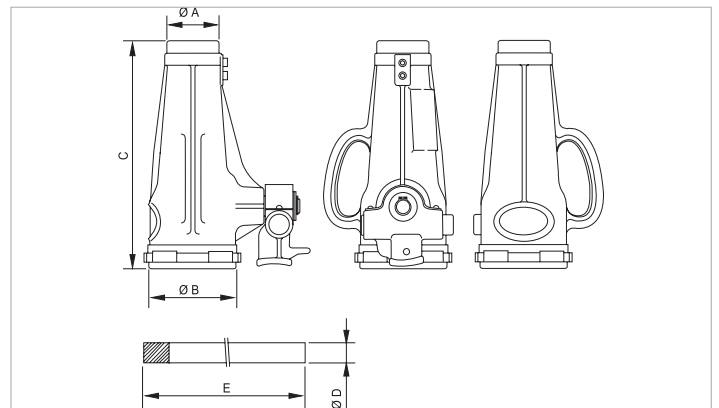


Technical specification sheet

JJ 2525 | Mechanical Jack

Specifications		
article number		200.102.001
model		JJ 2525
short description		Mechanical Jack
tonnage	t	25
stroke	mm	250
closed height	mm	395
capacity	kN/t	245.3 / 25
weight, ready for use	kg	21.0

Technical drawing dimensions		
dimension A	mm	77
dimension B	mm	127
dimension C	mm	395
dimension D	mm	25
dimension E	mm	700



holmatro.com

© Holmatro 2020-10-03

While the greatest care has been devoted to the content, it is possible that the information in this printed matter is incorrect or incomplete. Holmatro B.V. and its affiliated companies (hereafter: Holmatro) cannot be held liable in any way for the consequences of activities undertaken on the basis of this printed matter. Values can vary within the manufacturer measurements. If you have any doubts about the correctness or completeness of the information, you shall contact Holmatro (T +31 (0)162-751480). Nothing from this printed matter can be copied and/or made public in any way without the explicit authorisation of Holmatro.