

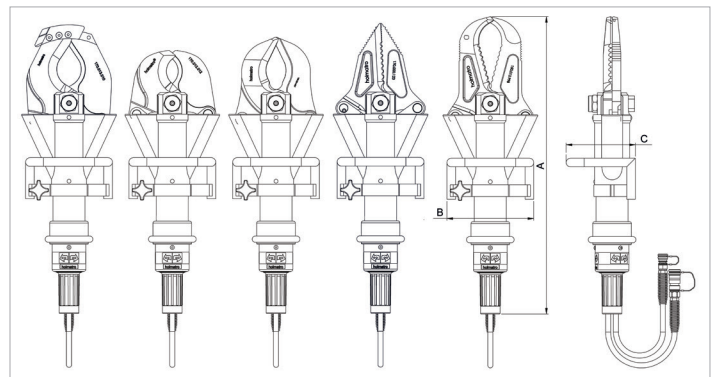
## Technical specification sheet

# ICU10A70 | Mobile Cutter

Specifications		
article number		178.012.043
model		ICU10A70
max. working pressure	psi	7252
blade type		70 GP
cutter type		mobile
short description		Mobile Cutter
max. spreading force	lbf	20458
max. spreading opening	in	12.3
max. cutting force	lbf	59350
max. cutting opening	in	9.3
required oil content (effective)	oz	2.8
weight, ready for use	lb	35.3
temperature range	°F	-4 + 176

Technical drawing dimensions		
dimension A	in	29.6
dimension B	in	8.7
dimension C	in	7

Accessories		
Balancer, 15 - 20 kg		130.182.039
Torque Wrench		150.581.671
Lubricants Set		170.013.021
Ring spanner hex. size 41		170.183.001



[holmatro.com](http://holmatro.com)

© Holmatro 2021-02-20

While the greatest care has been devoted to the content, it is possible that the information in this printed matter is incorrect or incomplete. Holmatro B.V. and its affiliated companies (hereafter: Holmatro) cannot be held liable in any way for the consequences of activities undertaken on the basis of this printed matter. Values can vary within the manufacturer measurements. If you have any doubts about the correctness or completeness of the information, you shall contact Holmatro (T +31 (0)162-751480). Nothing from this printed matter can be copied and/or made public in any way without the explicit authorisation of Holmatro.