

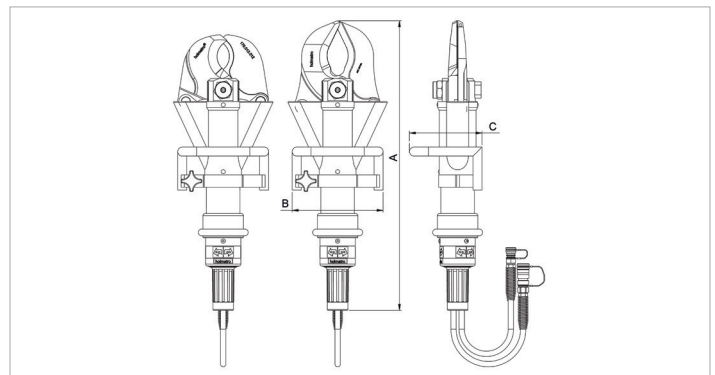
Technical specification sheet

ICU 40 A 30 | Mobile Cutter

Specifications			
article number			170.012.047
model			ICU 40 A 30
max. working pressure	psi		7252
blade type			30 standard
cutter type			mobile
short description			Mobile Cutter
max. cutting force	lbf		144777
max. cutting opening	in		7.1
required oil content (effective)	oz		5.5
weight, ready for use	lb		42.8
temperature range	°F		-4 + 176

Technical drawing dimensions			
dimension A	in		30.5
dimension B	in		10.6
dimension C	in		8.6

Accessories	
Blades, Set 20 Short (ICU 40)	170.013.063



holmatro.com

© Holmatro 2024-04-12

While the greatest care has been devoted to the content, it is possible that the information in this printed matter is incorrect or incomplete. Holmatro B.V. and its affiliated companies (hereafter: Holmatro) cannot be held liable in any way for the consequences of activities undertaken on the basis of this printed matter. Values can vary within the manufacturer measurements. If you have any doubts about the correctness or completeness of the information, you shall contact Holmatro (T +31 (0)162-751480). Nothing from this printed matter can be copied and/or made public in any way without the explicit authorisation of Holmatro.