

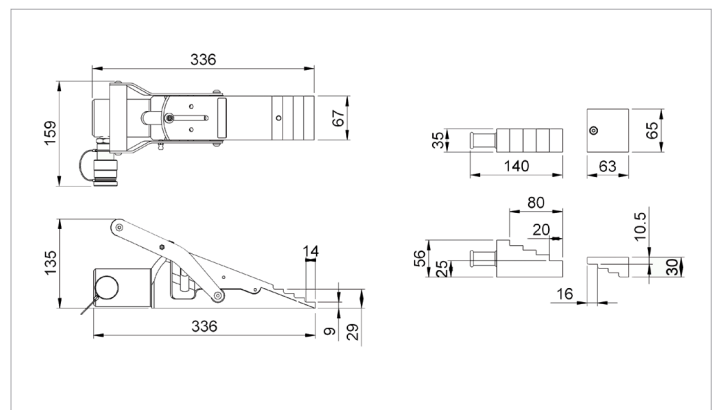
Technical specification sheet

HVLW 16 S 2 | Vertical Lifting Wedge

| Specifications | | |
|----------------------------------|---------|------------------------|
| article number | | 100.112.104 |
| model | | HVLW 16 S 2 |
| short description | | Vertical Lifting Wedge |
| max. working pressure | bar/Mpa | 720 / 72 |
| tonnage | t | 16 |
| min. insertion space | mm | 9 |
| lifting stroke | mm | 20 |
| max. spreading force | kN/t | 156.6 / 16 |
| required oil content (effective) | cc | 75 |
| return type | | spring |
| weight, ready for use | kg | 8.8 |

Standard supplied with

- Safety block
- Step block
- Grease pistol
- Grease cartridge Molycote®
- Plastic carrying / storage box



holmatro.com

© Holmatro 2021-09-02

While the greatest care has been devoted to the content, it is possible that the information in this printed matter is incorrect or incomplete. Holmatro B.V. and its affiliated companies (hereafter: Holmatro) cannot be held liable in any way for the consequences of activities undertaken on the basis of this printed matter. Values can vary within the manufacturer measurements. If you have any doubts about the correctness or completeness of the information, you shall contact Holmatro (T +31 (0)162-751480). Nothing from this printed matter can be copied and/or made public in any way without the explicit authorisation of Holmatro.