

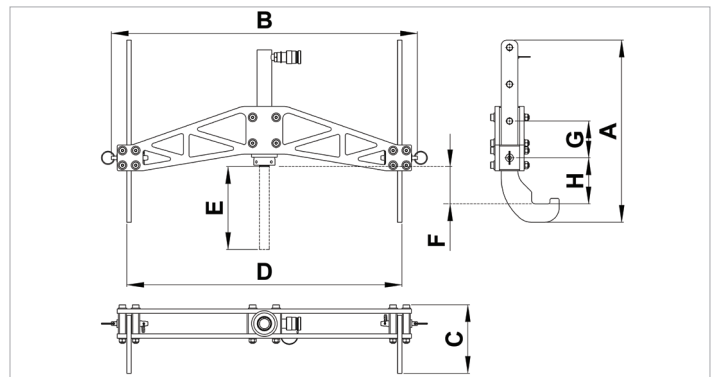
Technical specification sheet

HRH 5 S 17.5 | Railhook

Specifications		
article number		101.002.744
short description		Railhook
model		HRH 5 S 17.5
max. working pressure	psi	10443
tonnage	lb	11023.0
stroke	in	6.9
capacity	lbf	11240
effective pressure area	sq. in.	1.1
required oil content (effective)	oz	5.4
weight, ready for use	lb	44.1

Technical drawing dimensions		
dimension A	in	16.5
dimension B	in	32.8
dimension C	in	7.3
dimension D	in	29.5
dimension E	in	6.9
dimension F	in	4
dimension H	in	4.9

Standard supplied with	
• Multi Purpose cylinder HGC 5 S 17.5	



holmatro.com

© Holmatro 2023-12-29

While the greatest care has been devoted to the content, it is possible that the information in this printed matter is incorrect or incomplete. Holmatro B.V. and its affiliated companies (hereafter: Holmatro) cannot be held liable in any way for the consequences of activities undertaken on the basis of this printed matter. Values can vary within the manufacturer measurements. If you have any doubts about the correctness or completeness of the information, you shall contact Holmatro (T +31 (0)162-751480). Nothing from this printed matter can be copied and/or made public in any way without the explicit authorisation of Holmatro.