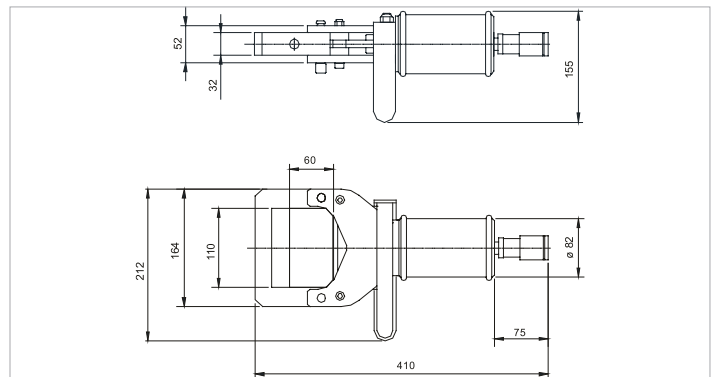


Technical specification sheet

HPS 60 AU | Pipe Squeezer

Specifications			
article number			100.102.019
model			HPS 60 AU
max. working pressure	psi		10443
short description			Pipe Squeezer
max. outside diameter pipe	in		2.4
max. wall thickness pipe	in		0.2
max. squeezing force	lbf		34373
required oil content (effective)	oz		4.4
return type			spring
remaining opening	in		0.1
weight, ready for use	lb		19.0
dimensions (LxWxH)	in		16.1 x 8.3 x 6.1
temperature range	°F		-4 + 131



holmatro.com

© Holmatro 2020-06-02

While the greatest care has been devoted to the content, it is possible that the information in this printed matter is incorrect or incomplete. Holmatro B.V. and its affiliated companies (hereafter: Holmatro) cannot be held liable in any way for the consequences of activities undertaken on the basis of this printed matter. Values can vary within the manufacturer measurements. If you have any doubts about the correctness or completeness of the information, you shall contact Holmatro (T +31 (0)162-751480). Nothing from this printed matter can be copied and/or made public in any way without the explicit authorisation of Holmatro.