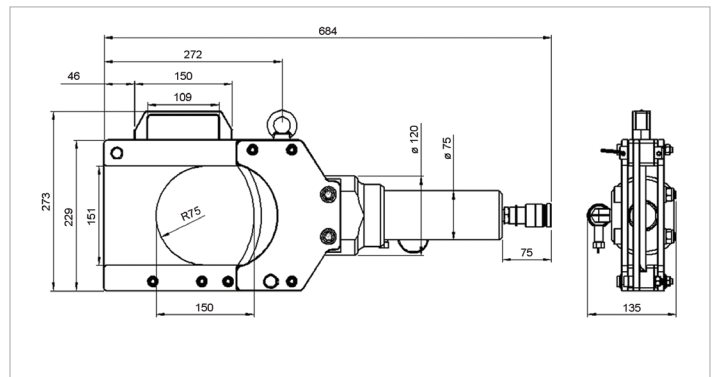


## Technical specification sheet

# HCC 150 | Cable Cutter

Specifications		
article number		100.522.150
model		HCC 150
max. working pressure	psi	10443
cutter type		power cable
short description		Cable Cutter
capacity	lbf	45771
max. jaw opening	in	5.7
capacity Ø ground cable	in	5.5
capacity Ø telephone cable	in	5.7
required oil content (effective)	oz	15.3
return type		hydraulic
weight, ready for use	lb	54.9



[holmatro.com](http://holmatro.com)

© Holmatro 2020-05-28

While the greatest care has been devoted to the content, it is possible that the information in this printed matter is incorrect or incomplete. Holmatro B.V. and its affiliated companies (hereafter: Holmatro) cannot be held liable in any way for the consequences of activities undertaken on the basis of this printed matter. Values can vary within the manufacturer measurements. If you have any doubts about the correctness or completeness of the information, you shall contact Holmatro (T +31 (0)162-751480). Nothing from this printed matter can be copied and/or made public in any way without the explicit authorisation of Holmatro.