

Technical specification sheet

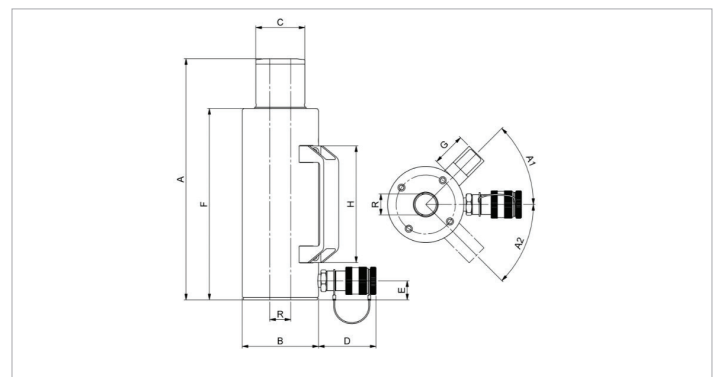
HAHC60S25 | Aluminum Hollow Plunger Cylinder

Specifications		
article number		100.112.380
short description		Aluminum Hollow Plunger Cylinder
model		HAHC60S25
max. working pressure	psi	10443
tonnage	lb	132277.0
stroke	in	9.8
closed height	in	20.4
capacity	lbf	136234
effective pressure area	sq. in.	13.1
required oil content (effective)	oz	71.2
connection		A 118
cylinder type		hollow plunger
acting type		single
return type		spring
material		aluminium
weight, ready for use	lb	63.9
ASME		B30.1

Technical drawing dimensions		
dimension A	in	20.4
dimension B	in	7.3
dimension C	in	4.3
dimension D	in	3.1
dimension E	in	1.3
dimension F	in	14.8
dimension G	in	1.7
dimension H	in	5.9
dimension R	in	2.2
angle A1	°	40
angle A2	°	40

Standard supplied with	
• High flow female coupler A118	
• Hollow saddle; prevents damage to the plunger	
• Larger cylinders are equipped with foldable handles for easy carrying and positioning	

Accessories	
Saddle TRS60	100.003.655



holmatro.com

© Holmatro 2023-11-29

While the greatest care has been devoted to the content, it is possible that the information in this printed matter is incorrect or incomplete. Holmatro B.V. and its affiliated companies (hereafter: Holmatro) cannot be held liable in any way for the consequences of activities undertaken on the basis of this printed matter. Values can vary within the manufacturer measurements. If you have any doubts about the correctness or completeness of the information, you shall contact Holmatro (T +31 (0)162-751480). Nothing from this printed matter can be copied and/or made public in any way without the explicit authorisation of Holmatro.