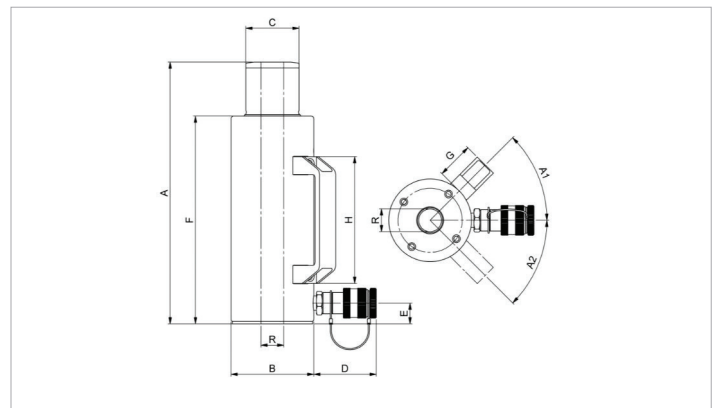


## Technical specification sheet

# HAHC60S25 | Aluminum Hollow Plunger Cylinder

Specifications		
article number		100.112.380
short description		Aluminum Hollow Plunger Cylinder
model		HAHC60S25
max. working pressure	bar/Mpa	720 / 72
tonnage	t	60
stroke	mm	250
closed height	mm	518
capacity	kN/t	606 / 61.8
effective pressure area	cm <sup>2</sup>	84.2
required oil content (effective)	cc	2105
connection		A 118
cylinder type		hollow plunger
acting type		single
return type		spring
material		aluminium
weight, ready for use	kg	29.0
ASME		B30.1



Technical drawing dimensions		
dimension A	mm	518
dimension B	mm	186
dimension C	mm	110
dimension D	mm	80
dimension E	mm	33
dimension F	mm	376
dimension G	mm	43.5
dimension H	mm	150
dimension R	mm	56
angle A1	°	40
angle A2	°	40

Standard supplied with	
<ul style="list-style-type: none"> <li>• High flow female coupler A118</li> <li>• Hollow saddle; prevents damage to the plunger</li> <li>• Larger cylinders are equipped with foldable handles for easy carrying and positioning</li> </ul>	

Accessories	
Saddle TRS60	100.003.655

