

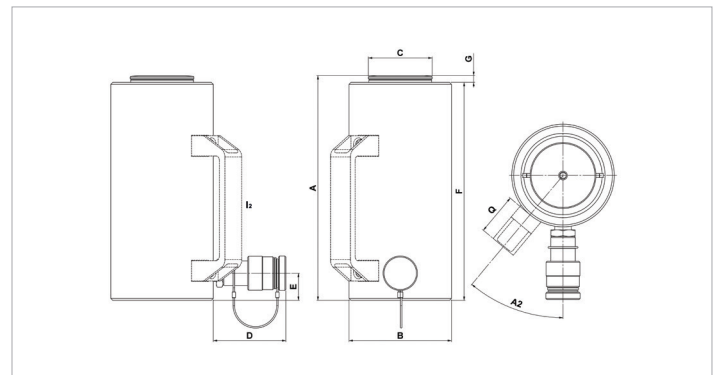
Technical specification sheet

HAC 100 S 10 | Aluminium Cylinder

Specifications		
article number		100.112.272
short description		Aluminium Cylinder
model		HAC 100 S 10
max. working pressure	psi	10443
tonnage	lb	220462.0
stroke	in	3.9
closed height	in	10.8
capacity	lbf	231688
effective pressure area	sq. in.	22.2
required oil content (effective)	oz	48.4
connection		A 118
cylinder type		standard
acting type		single
return type		spring
material		aluminium
weight, ready for use	lb	46.1
ASME		B30.1

Technical drawing dimensions		
dimension A	in	10.8
dimension B	in	7.4
dimension C	in	4.2
dimension D	in	3
dimension E	in	1.4
dimension F	in	12.6
dimension G	in	0.3
dimension Q	in	1.7
angle A2	°	40
I type		[I2]

Standard supplied with	
•	High Flow female coupler A 118
•	Flat saddle



holmatro.com

© Holmatro 2020-05-30

While the greatest care has been devoted to the content, it is possible that the information in this printed matter is incorrect or incomplete. Holmatro B.V. and its affiliated companies (hereafter: Holmatro) cannot be held liable in any way for the consequences of activities undertaken on the basis of this printed matter. Values can vary within the manufacturer measurements. If you have any doubts about the correctness or completeness of the information, you shall contact Holmatro (T +31 (0)162-751480). Nothing from this printed matter can be copied and/or made public in any way without the explicit authorisation of Holmatro.