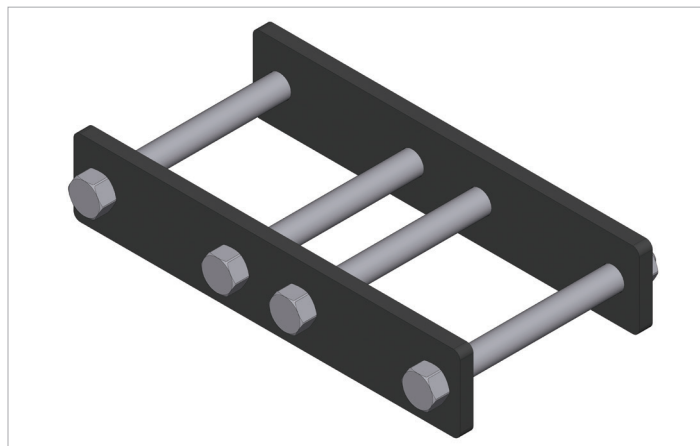


## Technical specification sheet

# CPS 30 | Beam Connection Set

### Specifications

|                       |    |                     |
|-----------------------|----|---------------------|
| article number        |    | 130.182.412         |
| model                 |    | CPS 30              |
| short description     |    | Beam Connection Set |
| weight, ready for use | kg | 30.4                |



[holmatro.com](http://holmatro.com)

© Holmatro 2020-05-30

While the greatest care has been devoted to the content, it is possible that the information in this printed matter is incorrect or incomplete. Holmatro B.V. and its affiliated companies (hereafter: Holmatro) cannot be held liable in any way for the consequences of activities undertaken on the basis of this printed matter. Values can vary within the manufacturer measurements. If you have any doubts about the correctness or completeness of the information, you shall contact Holmatro (T +31 (0)162-751480). Nothing from this printed matter can be copied and/or made public in any way without the explicit authorisation of Holmatro.