

Technical specification sheet

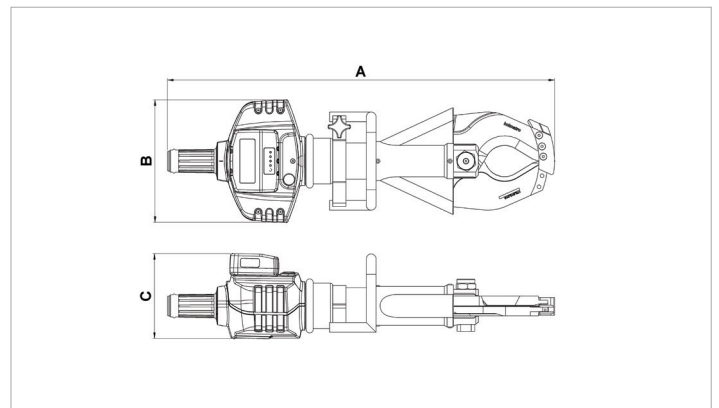
BCU 10 A 10 | Battery Cutter

Specifications		
article number		170.012.130
model		BCU 10 A 10
blade type		10 cable
cutter type		mobile
short description		Battery Cutter
battery included		no
max. working pressure	bar/Mpa	500 / 50
max. cutting opening	mm	115
max. cutting force	kN/t	242 / 24.7
protection rate		IP54
sound emission @ 1m/3.25ft	dB(A)	74
sound emission @ 4m/13ft	dB(A)	65
required oil content (effective)	cc	84
weight, ready for use	kg	21.5
temperature range	°C	-20 + 55

Technical drawing dimensions		
dimension A	mm	874
dimension B	mm	277
dimension C	mm	192

Required Accessories	
Greenline Battery Charger BCH1	150.182.208
Greenline Battery Charger BCH2	150.182.209
Greenline Battery Charger BCH3	150.182.286
Greenline Battery BPA286	151.000.307

Accessories	
Carrying Strap	150.182.249
Blades, Set 30 Standard	170.013.042
Blades, Set 40 Straight	170.013.038



holmatro.com

© Holmatro 2024-04-12

While the greatest care has been devoted to the content, it is possible that the information in this printed matter is incorrect or incomplete. Holmatro B.V. and its affiliated companies (hereafter: Holmatro) cannot be held liable in any way for the consequences of activities undertaken on the basis of this printed matter. Values can vary within the manufacturer measurements. If you have any doubts about the correctness or completeness of the information, you shall contact Holmatro (T +31 (0)162-751480). Nothing from this printed matter can be copied and/or made public in any way without the explicit authorisation of Holmatro.