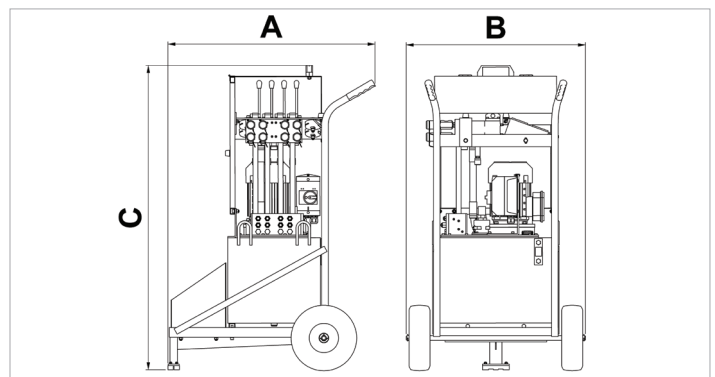


Technical specification sheet

04 Q 50 D + 4MV | Quattro Pump

Specifications			
article number			170.152.064
model			04 Q 50 D + 4MV
max. working pressure	psi		7977
short description			Quattro Pump
capacity oil tank (effective)	oz		1690.7
number of outputs			4
number of stages			2
first stage output / min.	oz		3.4
second stage output / min.	oz		13.5
first stage pressure range	psi		0 - 2466
second stage pressure range	psi		2466 - 7977
operator type			electric motor
engine			230 VAC - 2.2 kW - 50 Hz - 1 Ph
speed	rpm		2850
weight, ready for use	lb		474.0

Technical drawing dimensions			
dimension A	in		33.5
dimension B	in		28.9
dimension C	in		49.2



holmatro.com

© Holmatro 2023-12-20

While the greatest care has been devoted to the content, it is possible that the information in this printed matter is incorrect or incomplete. Holmatro B.V. and its affiliated companies (hereafter: Holmatro) cannot be held liable in any way for the consequences of activities undertaken on the basis of this printed matter. Values can vary within the manufacturer measurements. If you have any doubts about the correctness or completeness of the information, you shall contact Holmatro (T +31 (0)162-751480). Nothing from this printed matter can be copied and/or made public in any way without the explicit authorisation of Holmatro.