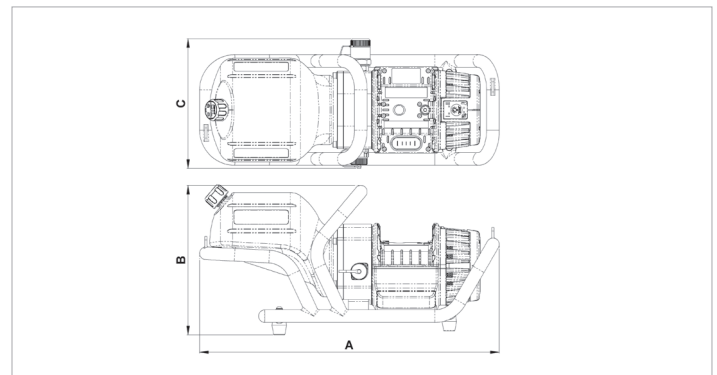


Technical specification sheet

HBP05D02 | APEIRON Holmatro Battery Pump

| Specifications | | |
|-------------------------------|-------|-------------------------------|
| article number | | 101.003.399 |
| model | | HBP05D02 |
| max. working pressure | psi | 10443 |
| short description | | APEIRON Holmatro Battery Pump |
| battery included | | Yes, 2 pcs |
| connectivity, mobile app | | Bluetooth |
| number of stages | | stepless |
| high pressure output / min | oz | 16.91 |
| low pressure output / min | oz | 104.82 |
| capacity oil tank | oz | 84.5 |
| capacity oil tank (effective) | oz | 67.6 |
| protection rate | | IP44 |
| sound emission @ 1m/3.25ft | dB(A) | 75 |
| sound emission @ 4m/13ft | dB(A) | 61 |
| operator type | | battery |
| acting type | | double |
| couplers | | yes, 2 pcs A119 male |
| hydraulic oil type | | ISO-L HV VG 36 |
| engine | | 28 VDC - 0.8 kW |
| weight, ready for use | lb | 29.3 |
| dimensions (LxWxH) | in | 20.5 x 8.9 x 10.2 |
| temperature range | °F | -4 +131 |
| dimensions (AxBxC) | in | 20.5 x 10.2 x 8.9 |
| weight (excl. battery) | lb | 25.8 |



| Standard supplied with | |
|---|--|
| • 2 Batteries | |
| • Hand pendant control, 3m length cord | |
| • Couplers that suit the application: plug and play | |

| Required Accessories | |
|-------------------------------|-------------|
| Battery Charger PBCH1 (AC-EU) | 101.003.242 |
| Battery Charger PBCH5 (AC-UK) | 101.003.243 |
| Battery Charger PBCH2 (AC-US) | 101.003.244 |



holmatro.com

© Holmatro 2026-06-25

While the greatest care has been devoted to the content, it is possible that the information in this printed matter is incorrect or incomplete. Holmatro B.V. and its affiliated companies (hereafter: Holmatro) cannot be held liable in any way for the consequences of activities undertaken on the basis of this printed matter. Values can vary within the manufacturer measurements. If you have any doubts about the correctness or completeness of the information, you shall contact Holmatro (T +31 (0)162-751480). Nothing from this printed matter can be copied and/or made public in any way without the explicit authorisation of Holmatro.