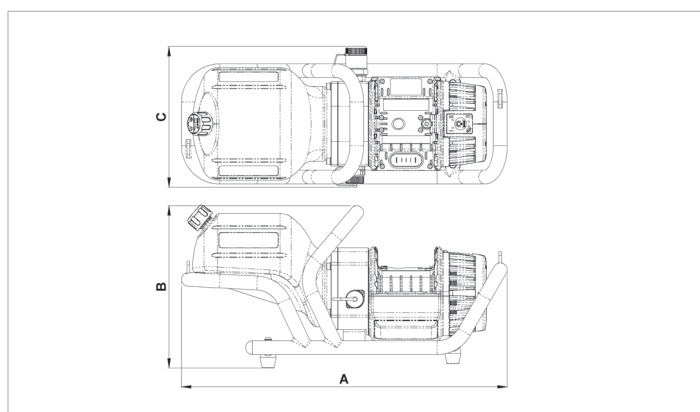


## Technical specification sheet

# HBP05D02 | APEIRON Holmatro Battery Pump

| Specifications                |         |                               |
|-------------------------------|---------|-------------------------------|
| article number                |         | 101.003.399                   |
| model                         |         | HBP05D02                      |
| short description             |         | APEIRON Holmatro Battery Pump |
| max. working pressure         | bar/Mpa | 720 / 72                      |
| battery included              |         | Yes, 2 pcs                    |
| connectivity, mobile app      |         | Bluetooth                     |
| number of stages              |         | stepless                      |
| high pressure output / min    | cc      | 500                           |
| low pressure output / min     | cc      | 3100                          |
| capacity oil tank             | cc      | 2500                          |
| capacity oil tank (effective) | cc      | 2000                          |
| protection rate               |         | IP44                          |
| sound emission @ 1m/3.25ft    | dB(A)   | 75                            |
| sound emission @ 4m/13ft      | dB(A)   | 61                            |
| operator type                 |         | battery                       |
| acting type                   |         | double                        |
| couplers                      |         | yes, 2 pcs A119 male          |
| hydraulic oil type            |         | ISO-L HV VG 36                |
| engine                        |         | 28 VDC - 0.8 kW               |
| weight, ready for use         | kg      | 13.3                          |
| dimensions (LxWxH)            | mm      | 520 x 225 x 260               |
| temperature range             | °C      | -20 +55                       |
| dimensions (AxBxC)            | mm      | 520 x 260 x 225               |
| weight (excl. battery)        | kg      | 11.7                          |



| Standard supplied with                              |  |
|---|--|
| • 2 Batteries                                       |  |
| • Hand pendant control, 3m length cord              |  |
| • Couplers that suit the application: plug and play |  |

| Required Accessories          |             |
|-------------------------------|-------------|
| Battery Charger PBCH1 (AC-EU) | 101.003.242 |
| Battery Charger PBCH5 (AC-UK) | 101.003.243 |
| Battery Charger PBCH2 (AC-US) | 101.003.244 |

