

Technical specification sheet

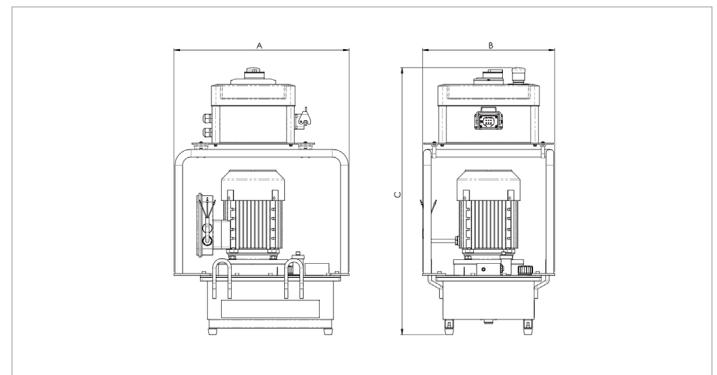
06W6DEC | Vari Pump

Specifications		
article number		100.152.140
model		06W6DEC
max. working pressure	psi	10443
short description		Vari Pump
capacity oil tank (effective)	oz	202.9
number of outputs		1
number of stages		2
first stage output / min.	oz	54.1
second stage output / min.	oz	20.3
first stage pressure range	psi	0 - 2901
second stage pressure range	psi	2901 - 10443
operator type		electric motor
engine		230 VAC - 1.1 kW - 50 Hz - 1 Ph
speed	rpm	1450
weight, ready for use	lb	94.8
dimensions (LxWxH)	in	19.7 x 15.3 x 30.1

Technical drawing dimensions		
dimension A	in	19.7
dimension B	in	15.3
dimension C	in	30.1

Standard supplied with	
• Protection frame	
• Electro control box	

Required Accessories	
Remote Control Valve + Oil Filter - Double Acting - M 326	100.182.321
Remote Control	100.151.060



holmatro.com

© Holmatro 2026-03-10

While the greatest care has been devoted to the content, it is possible that the information in this printed matter is incorrect or incomplete. Holmatro B.V. and its affiliated companies (hereafter: Holmatro) cannot be held liable in any way for the consequences of activities undertaken on the basis of this printed matter. Values can vary within the manufacturer measurements. If you have any doubts about the correctness or completeness of the information, you shall contact Holmatro (T +31 (0)162-751480). Nothing from this printed matter can be copied and/or made public in any way without the explicit authorisation of Holmatro.