

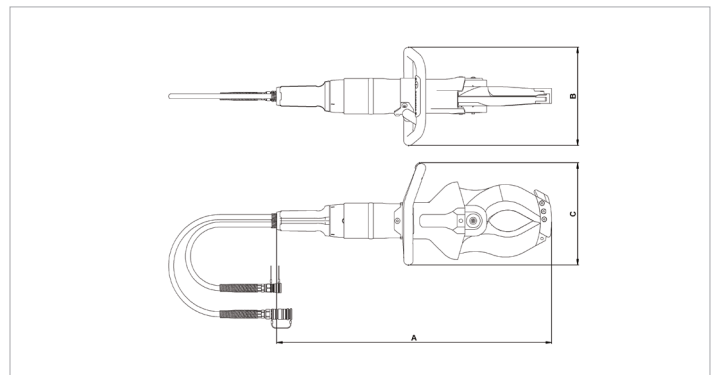
Technical specification sheet

HMC100A10 | Mobile Cutter

Specifications		
article number		101.003.215
model		HMC100A10
max. working pressure	psi	7252
blade type		10 cable
cutter type		mobile
short description		Mobile Cutter
battery included		no
max. cutting force	lbf	125668
max. cutting opening	in	5.7
required oil content (effective)	oz	6.4
hydraulic oil type		ISO-L HV VG 36
weight, ready for use	lb	34.2
dimensions (LxWxH)	in	29.5 x 10.6 x 10.9
temperature range	°F	-4 +131
max. cutting diameter power cable	in	4.3
number of cuts per day		100
number of operating hours per day		8

Technical drawing dimensions		
dimension A	in	29.5
dimension B	in	10.6
dimension C	in	10.9

Accessories	
Set blades HMC/HBC100A30	101.003.256



holmatro.com

© Holmatro 2026-01-17

While the greatest care has been devoted to the content, it is possible that the information in this printed matter is incorrect or incomplete. Holmatro B.V. and its affiliated companies (hereafter: Holmatro) cannot be held liable in any way for the consequences of activities undertaken on the basis of this printed matter. Values can vary within the manufacturer measurements. If you have any doubts about the correctness or completeness of the information, you shall contact Holmatro (T +31 (0)162-751480). Nothing from this printed matter can be copied and/or made public in any way without the explicit authorisation of Holmatro.