

Technical specification sheet

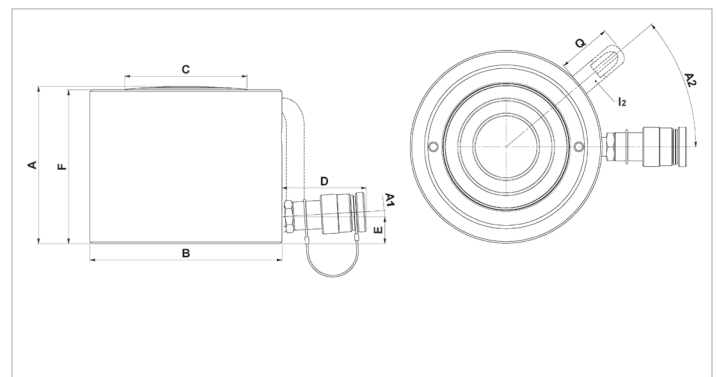
HSC 50 S 5 | Short Stroke Cylinder

| Specifications | | |
|----------------------------------|---------|-----------------------|
| article number | | 100.112.303 |
| short description | | Short Stroke Cylinder |
| model | | HSC 50 S 5 |
| max. working pressure | psi | 10443 |
| tonnage | lb | 110231.0 |
| stroke | in | 2 |
| closed height | in | 4.6 |
| capacity | lbf | 114742 |
| effective pressure area | sq. in. | 11 |
| required oil content (effective) | oz | 12 |
| connection | | A 118 |
| cylinder type | | short stroke |
| acting type | | single |
| return type | | spring |
| material | | steel |
| weight, ready for use | lb | 21.4 |
| ASME | | B30.1 |

| Technical drawing dimensions | | |
|------------------------------|----|-----|
| dimension A | in | 4.6 |
| dimension B | in | 5 |
| dimension C | in | 3 |
| dimension D | in | 3 |
| dimension E | in | 0.7 |
| dimension F | in | 4.6 |

Standard supplied with

- Dirt scraper ring
 - Protects against pollution
 - Increases the life span
- Superior seal for an excellent static and dynamic sealing
- Splined plunger, no saddle needed
- High flow female coupler A118



holmatro.com

© Holmatro 2025-10-01

While the greatest care has been devoted to the content, it is possible that the information in this printed matter is incorrect or incomplete. Holmatro B.V. and its affiliated companies (hereafter: Holmatro) cannot be held liable in any way for the consequences of activities undertaken on the basis of this printed matter. Values can vary within the manufacturer measurements. If you have any doubts about the correctness or completeness of the information, you shall contact Holmatro (T +31 (0)162-751480). Nothing from this printed matter can be copied and/or made public in any way without the explicit authorisation of Holmatro.