

## Technical specification sheet

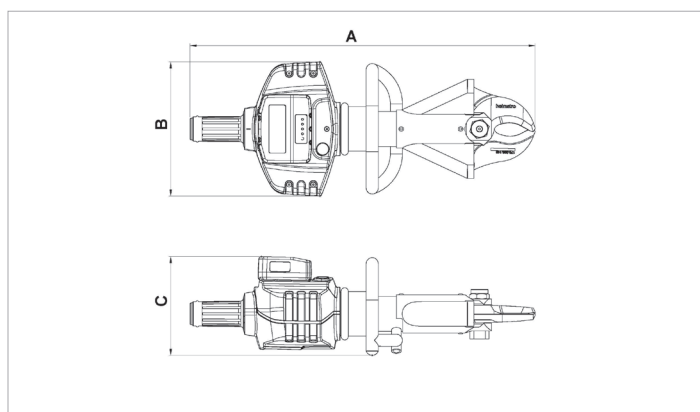
# BCU 05 A 30 | Battery Cutter

Specifications		
article number		170.012.127
model		BCU 05 A 30
blade type		30 standard
cutter type		mobile
short description		Battery Cutter
battery included		no
max. working pressure	bar/Mpa	500 / 50
max. cutting opening	mm	98
max. cutting force	kN/t	124 / 12.6
protection rate		IP54
sound emission @ 1m/3.25ft	dB(A)	124
sound emission @ 4m/13ft	dB(A)	65
required oil content (effective)	cc	37
weight, ready for use	kg	13.8
temperature range	°C	-20 + 55

Technical drawing dimensions		
dimension A	mm	714
dimension B	mm	277
dimension C	mm	203

Required Accessories		
Greenline Battery Charger BCH1		150.182.208
Greenline Battery Charger BCH2		150.182.209
Greenline Battery Charger BCH3		150.182.286
Greenline Battery BPA286		151.000.307

Accessories		
Carrying Strap		150.182.249
Blades, Set 10 Cable (ICU 05)		170.013.058



[holmatro.com](http://holmatro.com)

© Holmatro 2024-04-12

While the greatest care has been devoted to the content, it is possible that the information in this printed matter is incorrect or incomplete. Holmatro B.V. and its affiliated companies (hereafter: Holmatro) cannot be held liable in any way for the consequences of activities undertaken on the basis of this printed matter. Values can vary within the manufacturer measurements. If you have any doubts about the correctness or completeness of the information, you shall contact Holmatro (T +31 (0)162-751480). Nothing from this printed matter can be copied and/or made public in any way without the explicit authorisation of Holmatro.